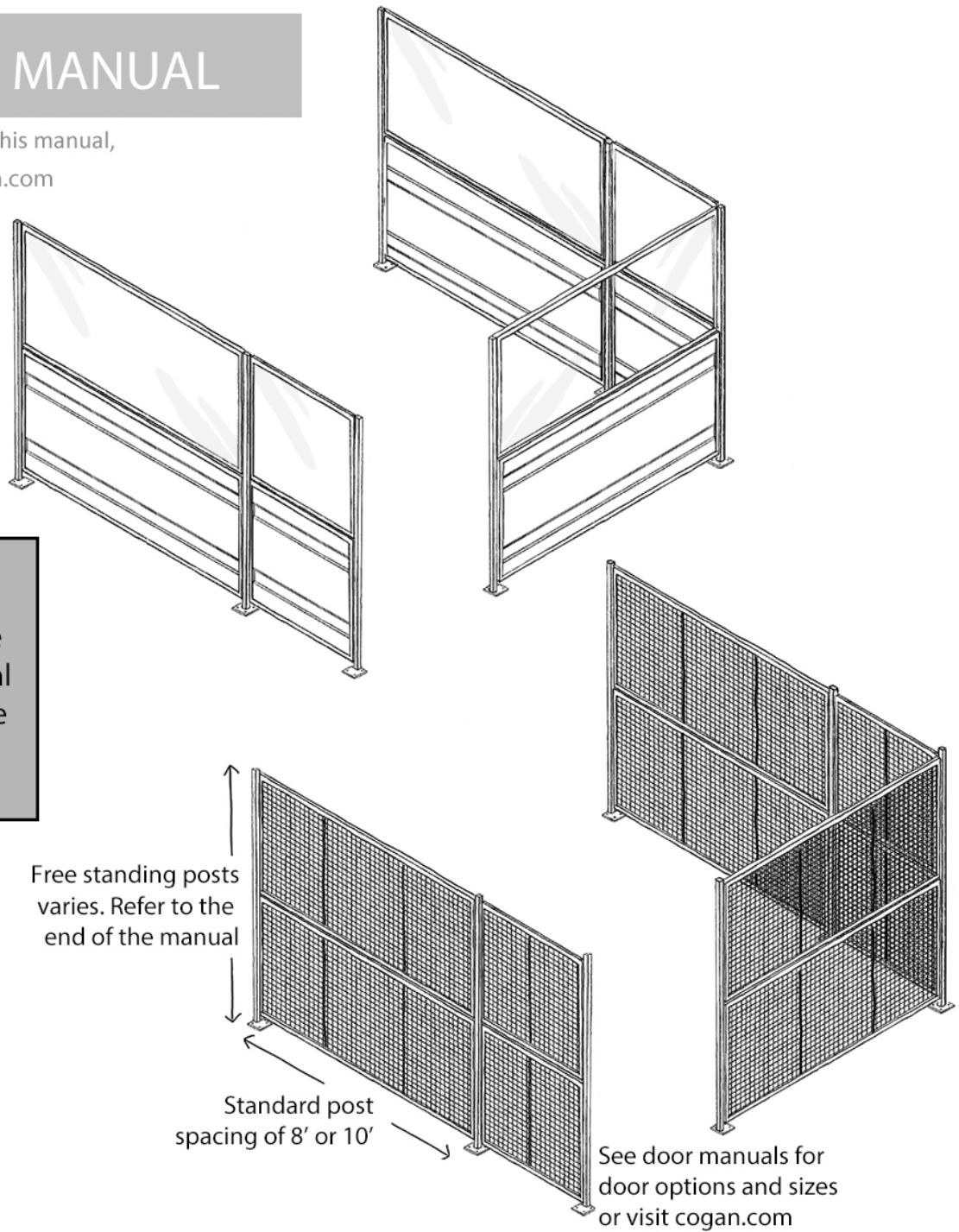


INSTALLATION MANUAL

For the most current release of this manual, please visit our website at cogan.com

V.2016.1



Sheet Metal and Lexan panels are installed the same way as the original Safegarde® welded wire mesh panels.

Product	Partitions
Sub-product	Freestanding partition - up to 24' high

- Freestanding 2" x 2" post with welded 6" x 6" base plate.
- Freestanding 2" x 4" post with welded 6" x 8" base plate.
- Freestanding 2" x 6" post with welded 6" x 10" base plate.
- 3 types of panels are available: framed 2" x 2" welded wire mesh, framed heavy-duty corrugated sheet metal or framed heavy-duty translucent Lexan. All panels are bolted to the posts.

© 2016 Cogan Wire and Metal Products Ltd., all rights reserved.



A Tradition of Quality Since 1901

cogan.com

TOOLS

Measuring tape

Chalk line

Hammer

Metal grinder

4ft Level

Hammer drill with $\text{\O}1/4"$ drill bit

$3/8"$ Reversible drill with #8 sq. bit and $3/8"$ hex head bit

$7/16"$ wrenches / sockets

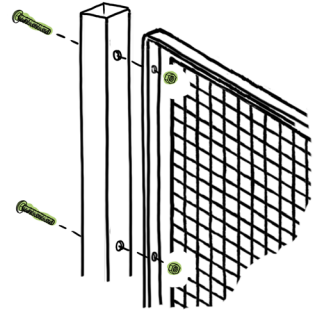
Safety glasses

TO ENSURE PROPER DOOR CLOSURE AND INSTALLATION, CENTER TO CENTER SPACING OF THE POST IS CRITICAL.

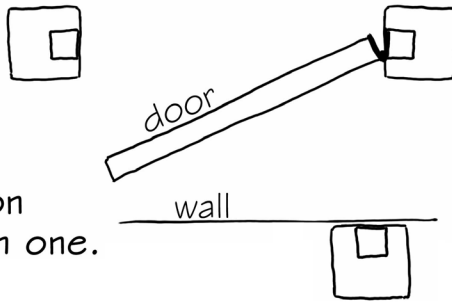
THE DIMENSIONS ON THE INSTALLATION DRAWING MUST BE RESPECTED $\pm 1/8"$

STEP 3 SIDE PANELS

Attach each side panel on posts using carriage bolts in all the pre-punched holes.

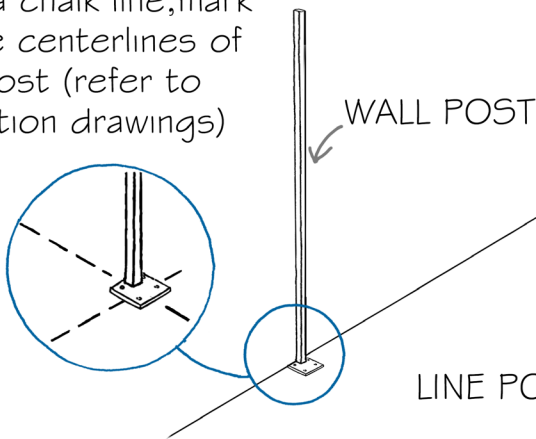


Baseplates are usually offset when against a wall or in a door opening. Refer to installation drawing for the location and orientation of each one.



STEP 1 CENTERLINES

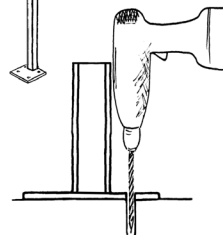
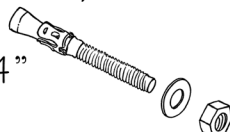
Using a chalk line, mark out the centerlines of each post (refer to installation drawings)



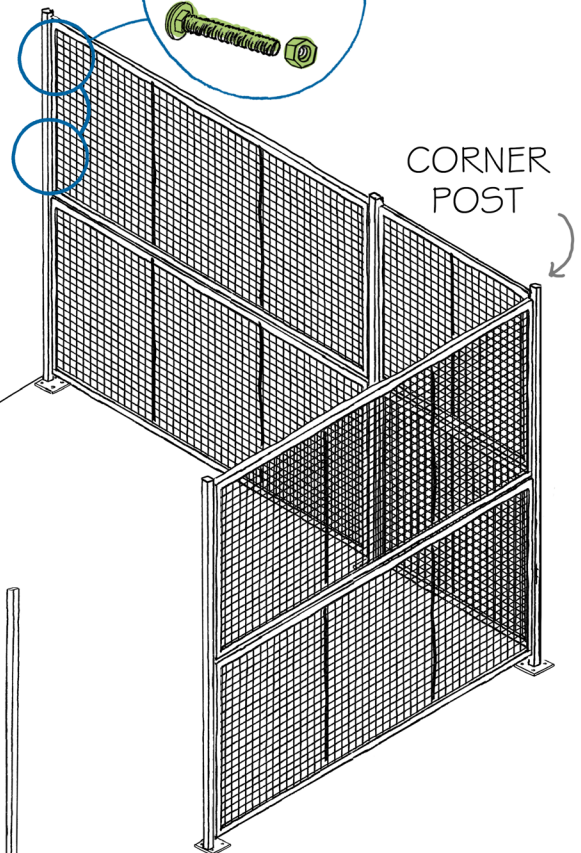
STEP 2 ANCHORS

Anchor the foot plates to the floor using wedge bolt anchors (not provided).

$3/8\text{\O} \times 2\ 3/4"$ for $2 \times 2"$ post
 $5/8\text{\O} \times 4\ 1/2"$ for $2 \times 6"$ and $2 \times 4"$ post.



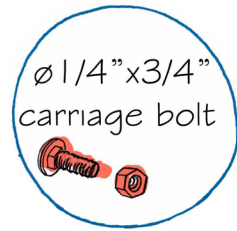
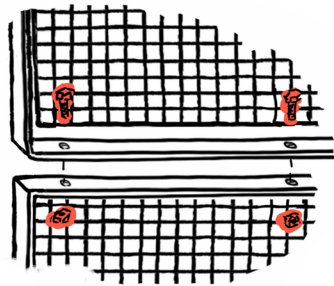
Hammer drill a hole with the same nominal diameter and at least as deep as the length of the anchor



STEP 4

CONNECTING SIDE PANELS

Connect panels together using 3/4" carriage bolts in all the pre-punched holes.

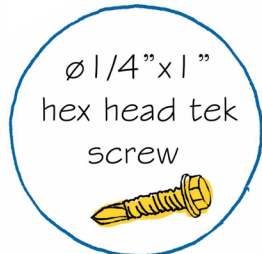
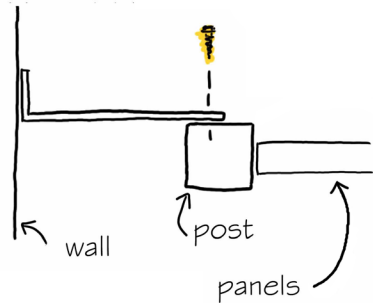


Wall Bracket

Flex Panel

OPTIONAL PART FLEX PANELS

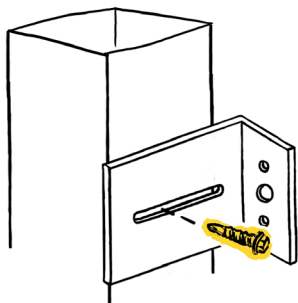
Fasten $\varnothing 1/4$ " hex head tek screw from the inside of partition post to attach the flex panel.



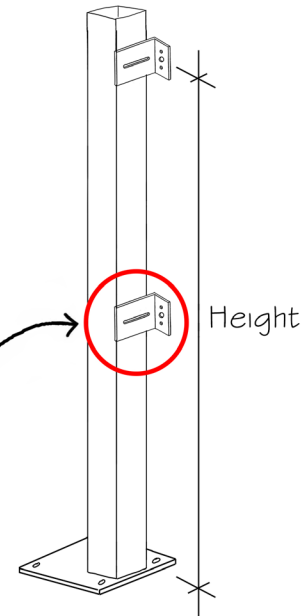
WALL BRACKETS

Use tek screw to fasten the brackets to the posts and anchors for the walls (not provided)

Refer to installation drawings for specific emplacement and quantity.



Wall bracket



- Height < 10' = Require 1 wall bracket
- Height = 10' = Require 2 wall bracket
- Height > 10' = 1 additional wall bracket per 10'

MATERIAL

- **WELDED WIRE MESH:**
PANELS ARE MADE OF FRAMED WELDED WIRE MESH 2" X 2" X 10GA REINFORCED WITH TWO 1/2" ROUND BAR, DIVIDING PANELS IN EQUAL SECTIONS.
- **SHEET METAL:**
PANELS ARE MADE OF FRAMED HEAVY DUTY CORRUGATED STEEL.
- **LEXAN:**
PANELS ARE MADE OF FRAMED HEAVY DUTY 3/16" THICK TRANSPARENT LEXAN SHEET.
- **FRAMES ARE MADE OF STRUCTURAL ANGLE 1 1/4"X1 1/4" X 12GA STRUCTURALLY SHAPED FOR EXTRA STRENGTH AND RIGIDITY.**
- **POSTS ARE MADE OF 2" X 2" X 16GA, 2"X 4" X 1/8", AND 2" X 6" X 1/8".ENGINEERED FOR PERFECT SUPPORT AND RIGIDITY WELDED TO 6" X 6" X 1/4", 6"X 8"X 1/2" AND 6" x 10" x 1/2" BASE PLATE RESPECTIVELY.**
- **ALL NECESSARY ASSEMBLY FASTENERS SHALL BE PROVIDED. ANCHORS ARE NOT PROVIDED BY COGAN.**
- **STANDARD GREY POWDER-COATED TOUGH FINISH.**